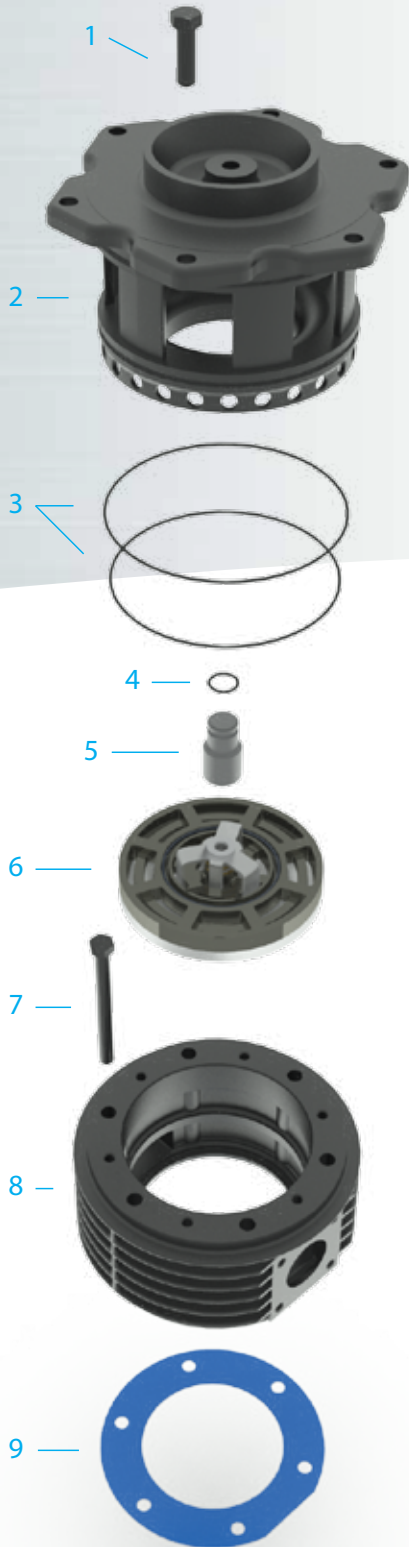


# Concentric Valve Upgrade for Wabtec Compressors



## Genuine Gardner Denver Valves

### VALVE CHANGE REQUIREMENTS

Tools required **5**

Time required (m:s) **6:15**

Parts required **9**

Single Concentric Valve for intake and discharge per cylinder

If you could save time, labor, parts, and tool expense, would you?

*Compare now!*

**GD**  
GARDNER DENVER™

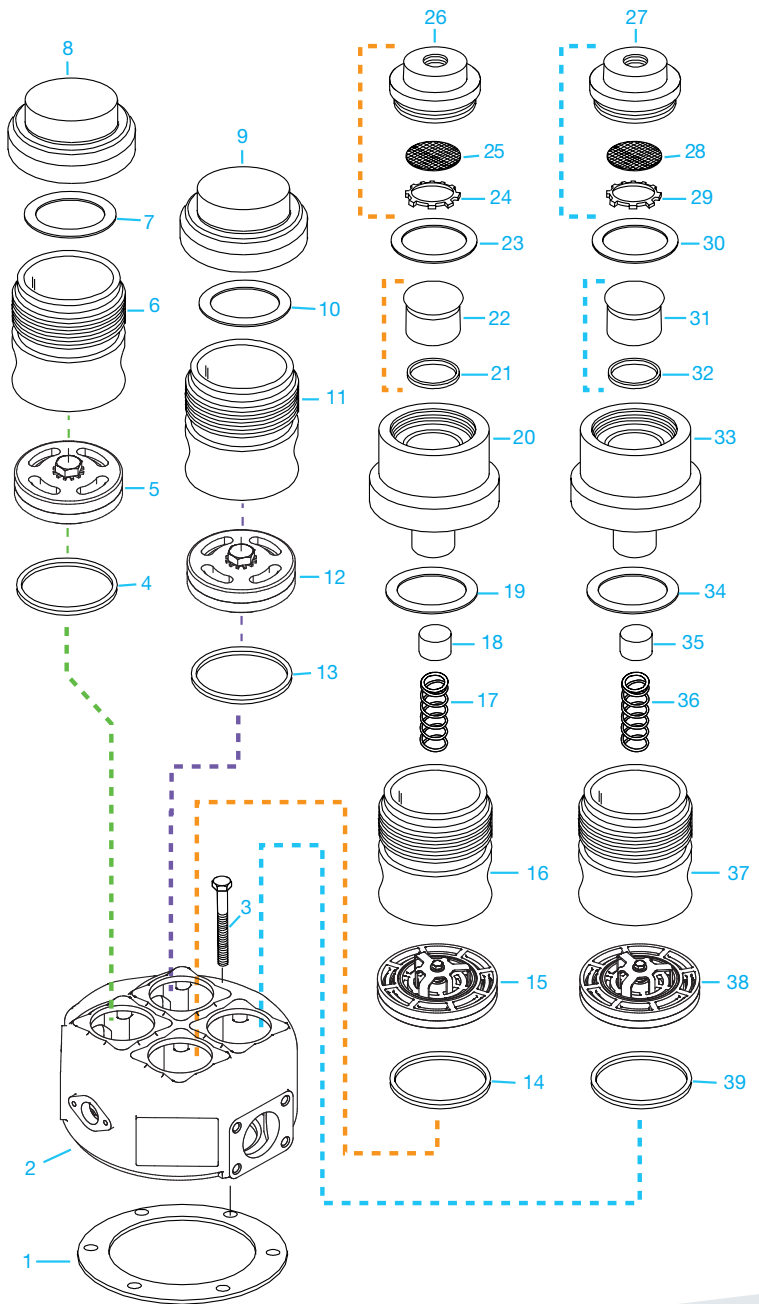
Experience Proven Results™

# Wabtec Valves

VALVE CHANGE REQUIREMENTS	
Tools required	<b>16</b>
Time required (m:s)	<b>48:01</b>
Parts required	<b>39</b>
Two intake and two discharge valves per cylinder	

Now that you've seen the difference...

*Turn to Gardner Denver to save time, labor, parts, tool expense, stress, and simplify your work!*



# Gardner Denver®

[www.GardnerDenverProducts.com](http://www.GardnerDenverProducts.com)

Gardner Denver, Inc., 1800 Gardner Expressway, Quincy, IL 62305  
Telephone: (800) 682-9868

©2011 Gardner Denver, Inc. Printed in U.S.A. GR-VALVES-102 1st Ed. 8/11



Please recycle after use.